

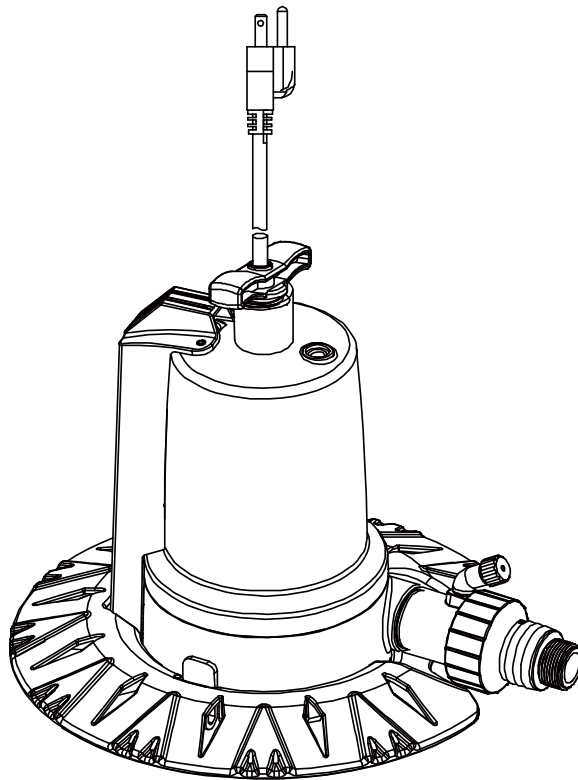


SUNC3000 / Item #40885

AUTOMATIC POOL COVER PUMP

OPERATIONS MANUAL


WWW.SUNRUNNERPOOL.COM




Performance


MODEL	HP	GPH of Water @ Total Feet Of Lift					Max. Lift
		0 ft.	5 ft.	10 ft.	15 ft.	20 ft.	
SUNC3000	1/3	1800	1560	1320	960	240	21 ft.


Safety Information


 **DANGER:** Do not pump flammable or explosive liquids such as oil, gasoline, kerosene, ethanol, etc. Do not use in the presence of flammable or explosive vapors. Using this pump with or near flammable liquids can cause an explosion or fire, resulting in property damage, serious personal injury and/or death.


 **DANGER:** Always disconnect the power to the pump before servicing.

 **DANGER:** Do not touch the motor housing during operation. The motor is designed to operate at high temperatures. Do not disassemble the motor housing.


 **DANGER:** Do not handle the pump or pump motor with wet hands or when standing on a wet or damp surface, or in water before servicing.


 **WARNING:** Release all pressure and drain all water from the system before servicing any component.


 **WARNING:** Secure the discharge line before starting the pump. An unsecured discharge line will whip and possibly cause personal injury and/or property damage.


 **WARNING:** Extension cords may not deliver sufficient voltage to the pump motor. Extension cords present a life-threatening safety hazard if the insulation becomes damaged or the connection ends fall into water. The use of an extension cord to power this pump is not permitted.


 **WARNING:** Wear safety goggles at all times when working with pumps.

 **WARNING:** This unit is designed only for use on 115 volts (single phase), 60 Hz, and is equipped with an approved 3-conductor cord and 3-prong grounded plug. Do not remove the ground pin under any circumstances. The 3-prong plug must be directly inserted into a properly installed and grounded 3-prong, grounding-type receptacle. Do not use this pump with a 2-prong wall outlet. Replace the 2-prong outlet with a properly grounded 3-prong receptacle (a GFCI outlet) installed in accordance with the National Electrical Code and local codes and ordinances. All wiring should be performed by a qualified electrician.

 **WARNING:** Protect the electrical cord from sharp objects, hot surfaces, oil, and chemicals. Avoid kinking the cord. Do not use damaged or worn cords.

 **WARNING:** Failure to comply with the instruction and designed operation of this unit may void the warranty. ATTEMPTING TO USE A DAMAGED PUMP can result in property damage, serious personal injury, and/or death.

 **WARNING:** Ensure that the electrical circuit to the pump is protected by a 10 Amp fuse or circuit breaker.

 **CAUTION:** Do not lift the pump by the power cord.

Safety Information (continued)



CAUTION: Know the pump and its applications, limitations, and potential hazards.



CAUTION: Secure the pump to a solid base. This will aid in keeping the pump in a vertical orientation. This is critical in keeping the pump operating at maximum efficiency. It will also help prevent the pump from clogging resulting in premature failure.



CAUTION: Periodically inspect the pump and system components to ensure the pump suction screen is free of mud, sand, and debris. Disconnect the pump from the power supply before inspecting.



CAUTION: Follow all local electrical and safety codes, along with the National Electrical Code (NEC). In addition, all Occupational Safety and Health Administration (OSHA) guidelines must be followed.



IMPORTANT: The motor of this pump has a thermal protector that will trip if the motor becomes too hot. The protector will reset itself once the motor cools down and an acceptable temperature has been reached. The pump may start unexpectedly if it is plugged in.



IMPORTANT: Ensure the electrical power source is adequate for the requirements of the pump.



IMPORTANT: Before using the pump, check the hose for holes or excess wear, which could cause leaks, and ensure the hose is not kinked or making sharp angles. A straight hose allows the pump to move the greatest amount of water quickly, and also check that all hose connections are tight to minimize leaks.



IMPORTANT: This pump is made of high-strength, corrosion-resistant materials. It will provide trouble-free service for a long time when properly installed, maintained, and used. However, inadequate electrical power to the pump, dirt, or debris may cause the pump to fail. Please carefully read the manual and follow the instructions regarding common pump problems and remedies.



IMPORTANT: This pump is fully automatic in operation. If the water level is over 2 in., the water detector senses water. Then the control system built in the pump automatically starts the pump and the pump continues to run until water is pumped down to 3/8 in. deep, and then it stops. If the water level is not over 2 in., the pump will not start.

Pre-Installation

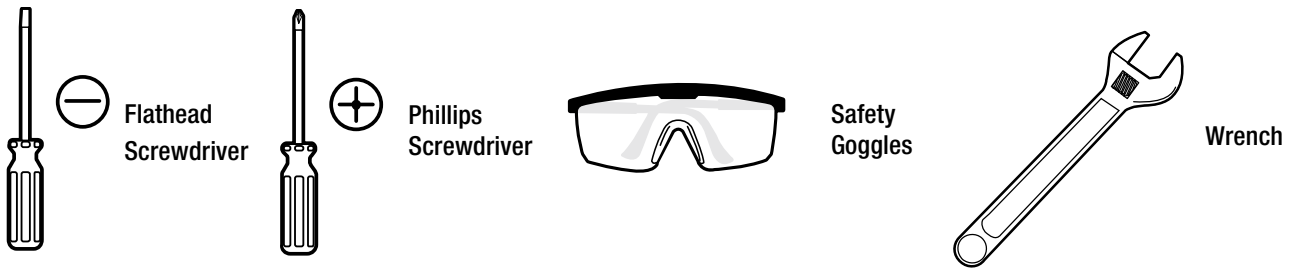
APPLICATION

- This automatic submersible utility pump is designed for water removal applications. Pump water only with this pump. It can automatically drain or remove water from the following: swimming pool covers, sinks, window wells, boats, low spot in yards, or other flooded areas.
- This pump has not been tested or approved for use in salt-water marine areas. This pump is not designed to function as a permanently installed sump pump. It is also not engineered to be run continuously as a “fountain” or “waterfall” pump.
- Do not use where water recirculates.

Features:

- Operating water depth: minimum 2 in.

TOOLS REQUIRED

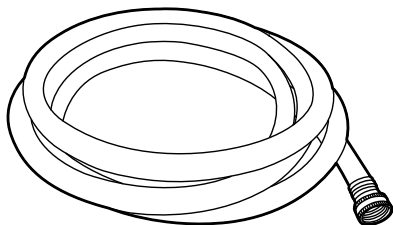


MATERIALS REQUIRED (NOT INCLUDED)

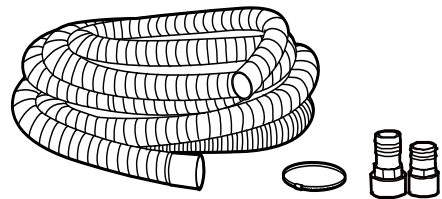


NOTE: The hose and hose kit are not shown to scale.

Garden Hose



Sump Pump Discharge Hose kit

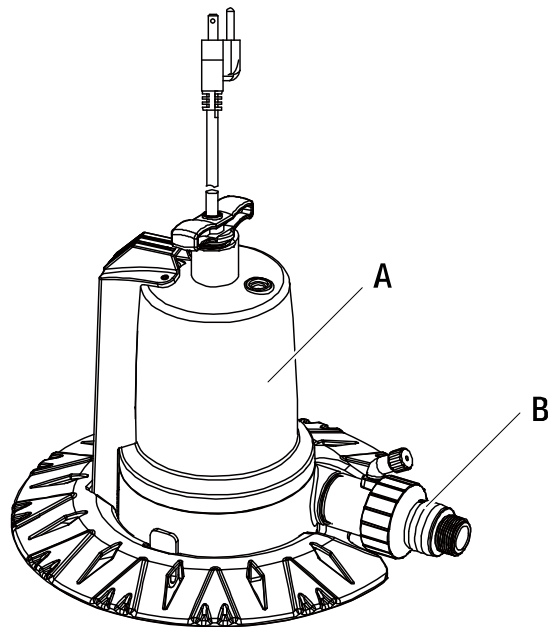


Pre-Installation (continued)

PACKAGE CONTENTS



NOTE: The adaptor is not shown to scale.



Part	Description
A	Pump
B	3/4 in. garden hose adaptor

SPECIFICATIONS

Power supply	115V, 60 HZ., 10 Amp Circuit
Liquid Temp. Range	35°F to 77°F (1°-25°C)
Discharge	1 in. Male NPT or 3/4 in. garden hose thread

Installation



CAUTION: Always use the handle to lift the pump. Never use the power cord to lift the pump. To avoid skin burns, unplug the pump and allow time for it to cool after periods of extended use.

1 Connecting a 3/4 in. garden hose connection

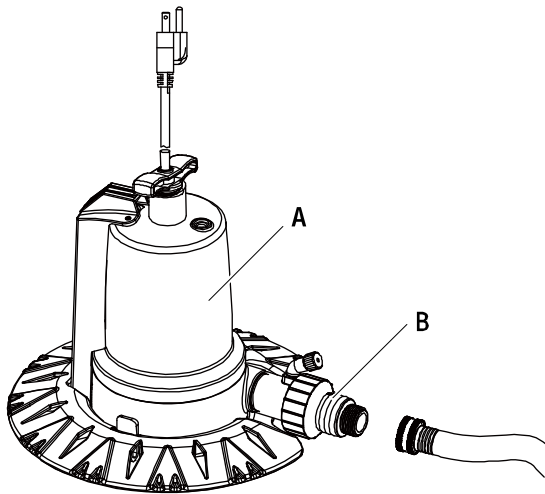


NOTE: Be sure the 3/4 in. garden hose thread connector has a rubber gasket to minimize water leaks.



NOTE: The larger the inside diameter and the shorter the length of hose, the less pressure that is lost (or the larger the flow rate).

- Attach a garden hose with a 3/4 in. garden hose thread (not included) to the adaptor (B).



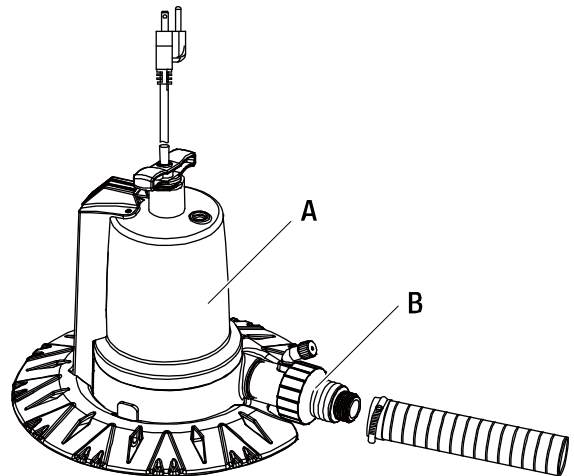
2 Connecting a 1-1/4 in. hose kit



WARNING: Secure the discharge hose before plugging in the pump. An unsecured discharge hose may “whip” possibly causing personal injury, and/or property damage.

If you would prefer to use a 1-1/4 in. hose kit (not included) in order to pump water away more quickly.

- Securely attach the hose kit (not included) to the adaptor (B).



Operation



NOTE: Make certain you unwind the garden hose completely. Kinks in the hose will restrict the pump, preventing it from priming, which is the first step to pumping water. This pump has water detector sensors. As long as the water level is over 2 in., the pump will automatically start operating.

Place the pump on the pool cover or any place that you would like to remove water. And plug the pump power plug into a 115 volt GFCI power outlet.



WARNING: Do not handle pump or pump motor with wet hands or when standing on wet or damp surface, or in water.



NOTE: The pump will not start working unless water level is over 2 in.



WARNING: Do not let plug fall in water and do not stand in water while the pump is plugged in.



NOTE: Place upright on a solid base.

Airlock

This pump is a centrifugal utility pump, designed to efficiently remove water. However, it cannot move air. If air is trapped inside the pump (a condition called “airlock”), the pump cannot pump water out even though the pump is completely submerged. This pump has an airlock hole. Air flows out through the anti-airlock hole, eliminating the airlock so that the pump can operate properly. If debris blocks the anti-airlock hole, unplug the pump, reinstall the pump, and restart the pump.

If the pump is suddenly dropped into water, it might take a couple minutes to squeeze air out through the anti-airlock hole.

Alternately, drain the water out of the garden hose, keep the end of the hose out of the water, and plug in the power cord, restarting the pump.

Care and Cleaning



CAUTION: Always use the handle to lift the pump. Never use the power cord to lift the pump. To avoid skin burns, unplug the pump and allow time for it to cool after periods of extended use.

Do

- When the power is disconnected, inspect the pump inlets and remove all debris, then plug the pump back into the grounded (GFCI) outlet.

Do Not

- Disassemble the motor housing. This motor has NO repairable internal parts, and disassembly may cause leakage or dangerous electrical wiring issues.
- Lift up the pump by the power cord.

TO CLEAN THE WATER SENSOR HOUSING

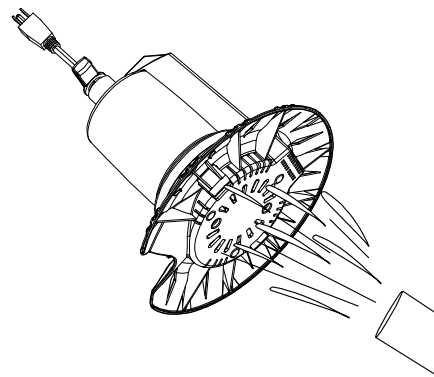


NOTE: Unplug the power cord.

Simple clean the pump

1

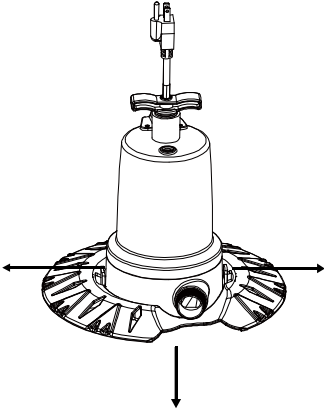
Put the pump upside down and flush the bottom of the filter base with clean water.



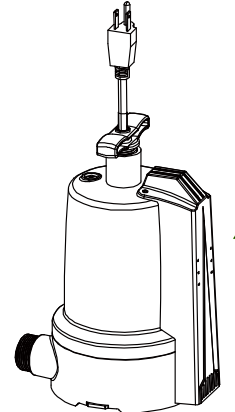
Care and Cleaning (continued)

Deep clean the water sensors and impeller

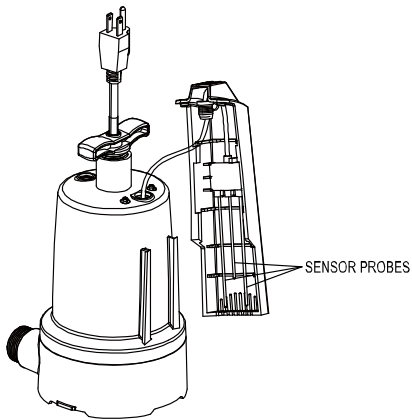
- 1** Pull the snap fittings on the pump housing and remove the pump filter base.



- 2** Pull the cap up along the pump housing

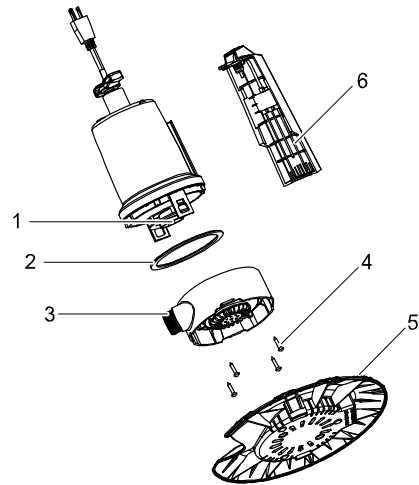


- 3** Clean the debris and contamination around the sensor probes.



TO CLEAN THE PUMP CLOGGED WITH DEBRIS:

- Remove the screws (4) and take out the volute (3) from the pump and clean the debris on the impeller (1).
- Reassemble the volute (3), water sensor housing and sensor protection cap (6), pump base (5).



Troubleshooting

Problem	Possible Cause	Corrective Action
The pump does not start.	<ol style="list-style-type: none"> 1. The fuse is blown. 2. The breaker is tripped. 3. The plug is disconnected. 4. The plug is corroded. 5. The motor failed. 6. The water level is too low. 7. Ice or blockage has locked the impeller. 	<ol style="list-style-type: none"> 1. Replace the fuse. 2. Reset the breaker. 3. Secure the plug. 4. Clean the plug prongs. 5. Replace the pump. 6. Allow the water level to rise to 2 in. or more. 7. Remove the blockage.
The pump is unable to pump out water.	<ol style="list-style-type: none"> 1. The screen is blocked. 2. The hose is kinked, bent sharply, or coiled. 3. There is airlock. 4. The hose length is too long. 5. The impeller is loose on the shaft. 6. The impeller is broken. 7. The probe sensors are contaminated. 	<ol style="list-style-type: none"> 1. Clean the screen. 2. Straighten the hose. 3. Clean the anti-air lock hole. 4. Use a shorter hose. 5. Reassemble the impeller. 6. Replace the impeller. 7. Clean the probes.

Warranty

Limited Warranty

For two (2) years from the date of purchase, AquaPro will repair or replace, at its option, for the original owner any parts of its filters ("Product") which are found upon examination to be defective in materials or workmanship. This Limited Warranty covers parts only for a period of two (2) years.

Please call 1-877-278-2797 for instructions. Be prepared to provide a receipt, the model number and serial number when exercising this limited warranty.

Purchaser must pay all transportation charges on Products or parts submitted for repair or replacement.

All non-warranty service charges are the responsibility of the original owner. Failure to pay for non-warranty service charges will void this Limited Warranty.

This Limited Warranty does not cover Products that have been damaged as a result of accident, freezing, abuse, misuse, neglect, improper installation, improper maintenance or failure to operate in accordance with written instructions. All maintenance and service must be performed by service agents approved. Any unauthorized alteration or repairs will void this Limited Warranty.

THERE IS NO OTHER EXPRESS WARRANTY. IMPLIED WARRANTIES, INCLUDING THOSE OF MERCHANTABILITY AND FITNESS FOR A PARTICULAR PURPOSE, ARE LIMITED TO TWO (2) YEARS FROM THE DATE OF PURCHASE. THIS IS THE EXCLUSIVE REMEDY AND ANY LIABILITY FOR ANY AND ALL INDIRECT OR CONSEQUENTIAL DAMAGES OR EXPENSES WHATSOEVER IS EXCLUDED.

Some states do not allow limitations on how long an implied warranty lasts, or do not allow the exclusions or limitations of incidental or consequential damages, so the above limitations might not apply to you. This limited warranty gives you specific legal rights, and you may also have other legal rights which vary from state to state.

In no event, whether as a result of breach of contract warranty, tort (including negligence) or otherwise, shall its suppliers be liable for any special, consequential, incidental or penal damages including, but not limited to loss of profit or revenues, loss of use of the products or any associated equipment, damage to associated equipment, cost of capital, cost of substitute products, facilities, services or replacement power, downtime costs, or claims of buyer's customers for such damages.

This Limited Warranty does not include freight charges for equipment or component parts, to and from the factory, services such as maintenance or inspection, repair or damage due to negligence such as freezing conditions, incorrect installation, nor acts of God. The liability shall not exceed the repair or replacement of defective parts under this Limited Warranty. This Limited Warranty also does not include unnecessary service calls due to erroneous operational reports, external valve positions, or electrical service. If a non-warranty service call is made, and the homeowner is unwilling to pay for the service call, this Limited Warranty will be voided. This Limited Warranty is voided if the product is repaired or altered by any persons or agencies other than those authorized. This Limited warranty applies only within the continental USA.

You **MUST** retain your purchase receipt along with this form. In the event you need to exercise a warranty claim, you **MUST** present a **copy** of the purchase receipt at the time of service. Please call 1-877-278-2797 for service or return authorization and instructions.

DO NOT MAIL THIS FORM. Use this form only to maintain your records.

MODEL NO. _____ SERIAL NO. _____ INSTALLATION DATE _____